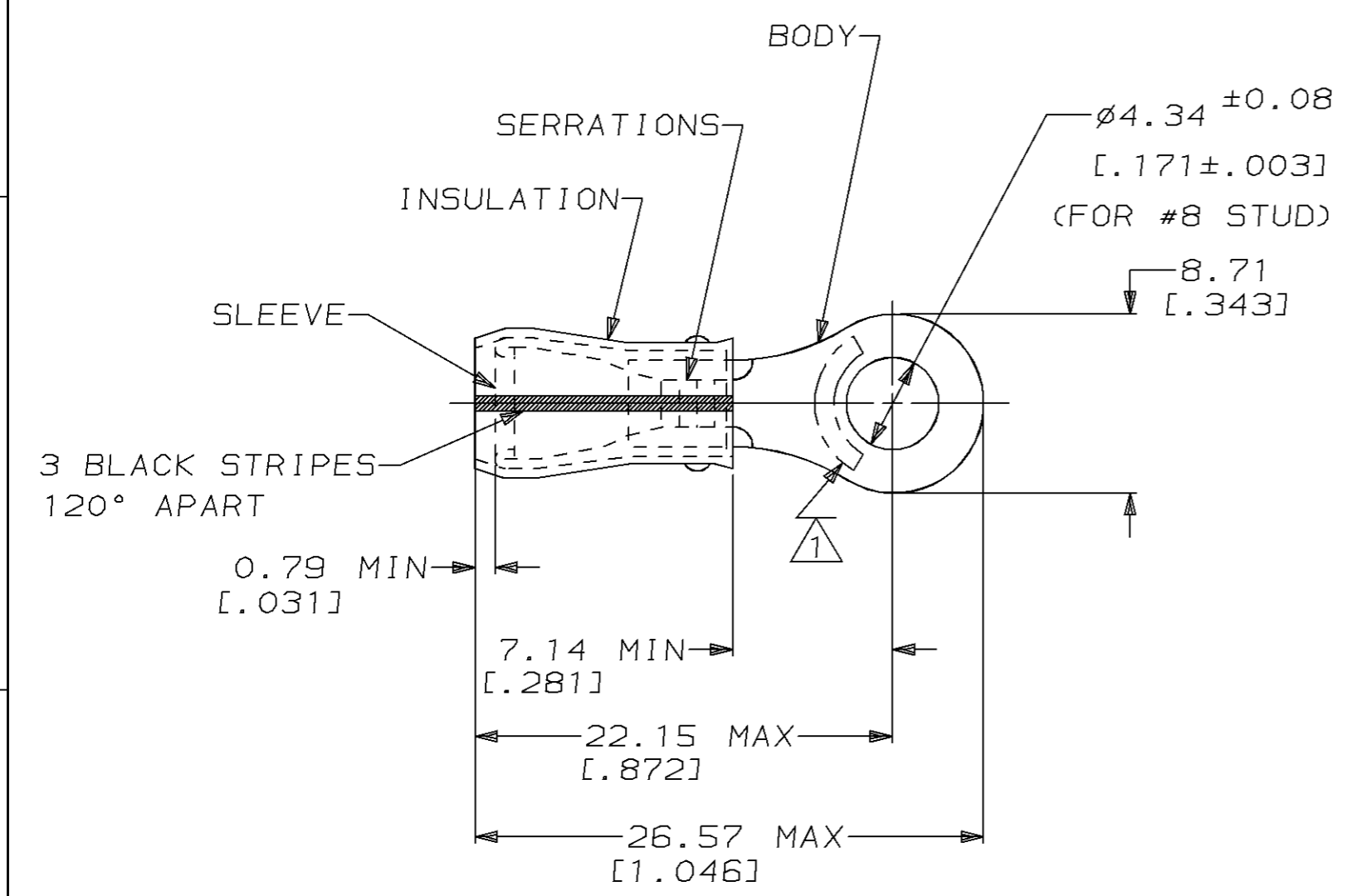


THIS DRAWING IS UNPUBLISHED. RELEASED FOR PUBLICATION ,19 .
 © COPYRIGHT 19 BY AMP INCORPORATED. ALL RIGHTS RESERVED.

LOC	DIST	REVISIONS			
P	LTR	DESCRIPTION	DATE	DWN	APVD
G	14	F	REV & REDRAW / 0720-0575-95	28SEP95	MLE NB



AMP WIRE RANGE	UL E13288	SR LR7189 Certified
16-14 AWG SOLID OR STRANDED	16-14 AWG SOLID OR STRANDED	16-14 AWG SOLID OR STRANDED

- △ STAMP AMP 16-14 HD* APPROX AS SHOWN
- 2. WIRE INSUL DIA, 3.81-6.35 [.150-.250]
- 3. TONGUE MATERIAL THK, 1.22±0.05 [.048±.002]

---	-----	-----
50	LOOSE PIECE, BOX	8-35106-2
2500	ON TAPE, REEL	2-35106-1
500	LOOSE PIECE	35106
QTY	PACKAGE TYPE	PART NO

AMP INCORPORATED CUSTOMER SERVICE SYSTEM		MAX RECOMMENDED OPERATING TEMPERATURE: 105°C [221°F]	THIS DRAWING IS A CONTROLLED DOCUMENT FOR AMP INCORPORATED. IT IS SUBJECT TO CHANGE AND THE CONTROLLING ENGINEERING ORGANIZATION SHOULD BE CONTACTED FOR THE LATEST REVISION.		DWN M ELLIS /3 T/3. T/	AMP AMP Incorporated Harrisburg, PA 17105-3608
FOR ADDITIONAL PRODUCT INFORMATION OR COPIES OF DRAWINGS AND TECHNICAL DOCUMENTS	PRODUCT INFORMATION CENTER 1-800-522-6752		DIMENSIONS: mm [in]	TOLERANCES UNLESS OTHERWISE SPECIFIED.	CHK C PRESNELL 28SEP95	
FOR APPLICATION TOOLING INFORMATION	TOOLING ASSISTANCE CENTER 1-800-722-1111	VOLTAGE RATING: 300 V MAX		0 PLC ±-	1 PLC ±-	NAME TERMINAL, RING TONGUE, PIDG™, WIRE SIZE, 16-14 HD AWG
FOR ORDER ENTRY	1-800-526-5142	CIRCULAR MIL AREA: 1.04mm²-2.62mm² [2050-5180]		2 PLC ±0.20 [.008]	3 PLC ±-	4 PLC ±-
			MATERIAL BODY, SLV, COPPER PER ASTM B 152	FINISH BODY & SLV, TIN PLATE PER MIL-T-10727	WEIGHT -	SIZE A3
			INSUL, NYLON, COLOR, YELLOW			CAGE CODE 00779
						DRAWING NO C-35106
						SCALE 4:1
						SHEET 1 OF 1
						REV F